

RAISING BILL VALIDATOR PERFORMANCE EXPECTATIONS



MEI knows bill validators. Since developing the electronic, non-contact bill acceptor, MEI has created several families of highly engineered electronic payments systems that are currently relied upon for more than two billion transactions per week in over 100 countries.

Perhaps no other MEI product so ideally serves customer needs as well as the MEI CASHFLOW® SC Series. Slot machine performance has been redefined by increases offered by MEI CASHFLOW® SC in acceptance rate, jam rate and security.

The difference is apparent in the bottom line. The player experience is enhanced through increased equipment up time and improved acceptance of legal notes. Operators benefit from lower maintenance costs and an uplift in revenue from satisfied players.

Four words summarize the MEI CASHFLOW® SC:

Proven performance. Increased profits. The product features, and resulting benefits, have evolved from decades of MEI's experience to redefine the role and perception of bill validators within the Gaming industry – rewarding an investment in MEI CASHFLOW® SC with unparalleled returns.

Please contact your MEI sales associate to schedule a Value-added Trial (VAT) or learn how MEI CASHFLOW® SC can help increase the player experience and bottom line in your operation.



MEI CASHFLOW® SC sets the standard for bill validators worldwide.

The knowledge gained from producing over three million note acceptors has created:

Advanced acceptance and security

A series of features contributing to a higher overall acceptance rate for legal notes and bar coded tickets while increasing security against fraud.

- Unrivaled security against fraudulent notes due to a full scan “light bar” source that provides six wavelengths of light.
- Increased security through technology that scans more note surface.
- Advanced recognition algorithms that facilitate higher acceptance rates.
- Higher ticket acceptance rates.
- Faster resolution to disputes with a window revealing the value of the last note stacked in the cashbox.

Exceptional note handling

Virtually eliminating early rejects by attempting to accept all notes at first pass.

- Improved acceptance via a wheeled design that allows note insertion from any angle.
- Enhanced protection against fluid and dust from a sealed, shortened note path—significantly decreasing the risk of jams.
- Best acceptance of street quality banknotes.

Lower cost of ownership

Combining functionality and durability in a design that withstands the toughest conditions.

- Extremely durable cashbox constructed of Verton plastic.
- Protected internal mechanisms and drive gears insulates components from the operating environment.
- Heavier gauge steel in chassis allows flexibility in mounting options.
- Easily updated through interface cards.
- Fewer moving parts reduce required maintenance and associated inventory.

Superior ease of use

Reducing the time and cost, and associated downtime, previously associated with bill validator maintenance.

- Easy access to the acceptor head.
- At-machine diagnostics with color-coded LEDs.
- Access to a USB port on the acceptor head provides interface to support tools.
- One-hand, ergonomic cashbox.
- Hot swappable architecture allows components to be interchanged.

Additionally, product enhancements can add functionality to MEI CASHFLOW® SC resulting in a tailored a solution for your individual needs:

MEI CASHFLOW® STS

a Portable Programming Module (PPM) makes downloading upgrades simple and fast. The PPM allows flash via USB connectivity.



MEI CASHFLOW® SCM

features an extended cashbox with 50% more capacity. Maximizing cashbox capacity allows operators to increase efficiencies associated with slot floor drops.



MEI EASITRAX® Soft Count

is an integrated software/hardware solution offering a faster, more efficient way to manage cash drops and evaluate data from slot machines.



FEATURES



Custom bar code reader
Full scan light bar
Beltless roller drive
Smooth, sealed short note path

Diagnostic LEDs/Configuration button/
USB located on front face for easy access

Note path release

Easy access acceptor release latch
Conveniently located interface card
easily changed

Recessed plastic gears
Dispute resolution window
Durable welded plastic exterior
withstands rigorous daily use
Lockable removable
cashbox with
dual lock capability

BENEFITS

Proven Quality 400,000+ units in over 1,000 casinos

Global Notesets Nearly 100 countries are maintained by a full-time currency team

Revenue Highest banknote acceptance 98%+

Up Time Rarely jams as bank note is always controlled

TECHNICAL SPECIFICATIONS

ACCEPTANCE RATE

- 98% or greater¹

NOTE/BAR CODE COUPON

INSERTION NOTES

- Up to 50 notes, four ways, faceup and down

BAR CODE COUPONS

- Two-way faceup

NOTE DIMENSIONS

- 62mm – 83mm width
120mm – 166mm length

TRANSACTION SPEED

- Approximately three seconds to stack

ESCROW

- One note or one bar code coupon

INTERFACES

- Multiple serial protocols

SC SERIES CASHBOX CAPACITY

- Up to 500 notes

POWER SOURCE & CONSUMPTION

- 12V – 28VDC
- Standby: 10 Watts
- Accepting: 30 Watts
- Stacking: 70 Watts

ENVIRONMENTAL

- Operating Temperature 0°C – 60°C
- Storage Temperature -30°C – 70°C
- Humidity 5% – 95%²

SHIPPING WEIGHT

SC Series 4kg (9 lbs.)
SC Cashbox 1.5kg (3 lbs.)

MEI CASHFLOW® SC SERIES MODELS

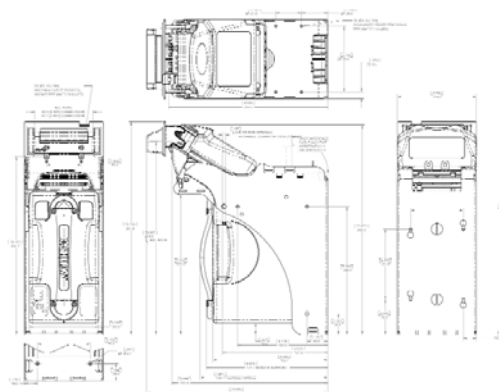
SCXXXX X

U.K.	U.S.	International	
8500	6600	8300	OEM Configurable (no harness)
8502	6602	8302	OEM Proprietary
8504	6604	8304	Opto Isolated EBDS
8507	6607	8307	RS232 EBDS

MEI CASHFLOW® SC SERIES ACCESSORIES

Part Number Part Number Description

U.S. [FW]	International [MW]	
50043690P12	50043690P12	MEI CASHFLOW SC cashbox ³ (Qty 12)
252063016P24	252060065	MEI 84mm Platform Bezel
252026321P1	252024322P1	MEI 84mm Universal Bezel
252058039	252058039	MEI Integration Manual CD
by request	by request	MEI i-Card (Wallet Card)



MEI LOCATIONS:

UNITED STATES

Corporate Headquarters
1301 Wilson Drive
West Chester, PA 19380
Telephone: 1 610 430 2700
Facsimile: 1 610 430 2694
Customer Service: 1 800 345 8215
Technical Support: 1 800 345 8172

Las Vegas, NV

Telephone: 1 702 873 4866
Facsimile: 1 702 873 6401

UNITED KINGDOM

Telephone: +44 (0) 118 938 1100
Facsimile: +44 (0) 118 938 1120

SWITZERLAND

Telephone: +41 (0) 22 884 0505
Facsimile: +41 (0) 22 884 0504

AUSTRALIA

Telephone: +61 2 8875 7753
Facsimile: +61 2 8875 7957

CANADA

Telephone: +1 905 492 0851
Facsimile: +1 905 492 0853

JAPAN

Telephone: +81 3 3221 8466
Facsimile: +81 3 3221 8465

SPAIN

Telephone: +34 91 749 7516
Facsimile: +34 91 749 9356

FRANCE

Telephone: +33 (0) 1 57 32 30 23
Facsimile: +33 (0) 1 55 69 56 10

GERMANY

Telephone: +49 695 007 0420
Facsimile: +49 695 007 0421

ITALY

Telephone: +39 02 69633722
Facsimile: +39 02 69633723

MEI welcomes every operator to experience the difference offered by MEI CASHFLOW® SC.

A Value-added Trial (VAT) is a controlled test to compare bill validators on key performance measurements, such as "cash in the box", acceptance rate, jam performance and ease of use. To learn more and to schedule a VAT, please contact your MEI sales associate.

mei
www.meigroup.com

Proven performance. Increased profits.

MEI CASHFLOW is a registered trademark of MEI. Information is subject to change without notice. MEI has made every effort to assure that the information in this document is accurate. However, we cannot be held responsible for any errors or omissions.

NOTES: ¹Contact MEI for country currency options and specifications.

²Non-condensing at or below 45°C.

³Locks not included.

MEI is ISO 9001:2000 certified.

©2008 MEI. All rights reserved.

